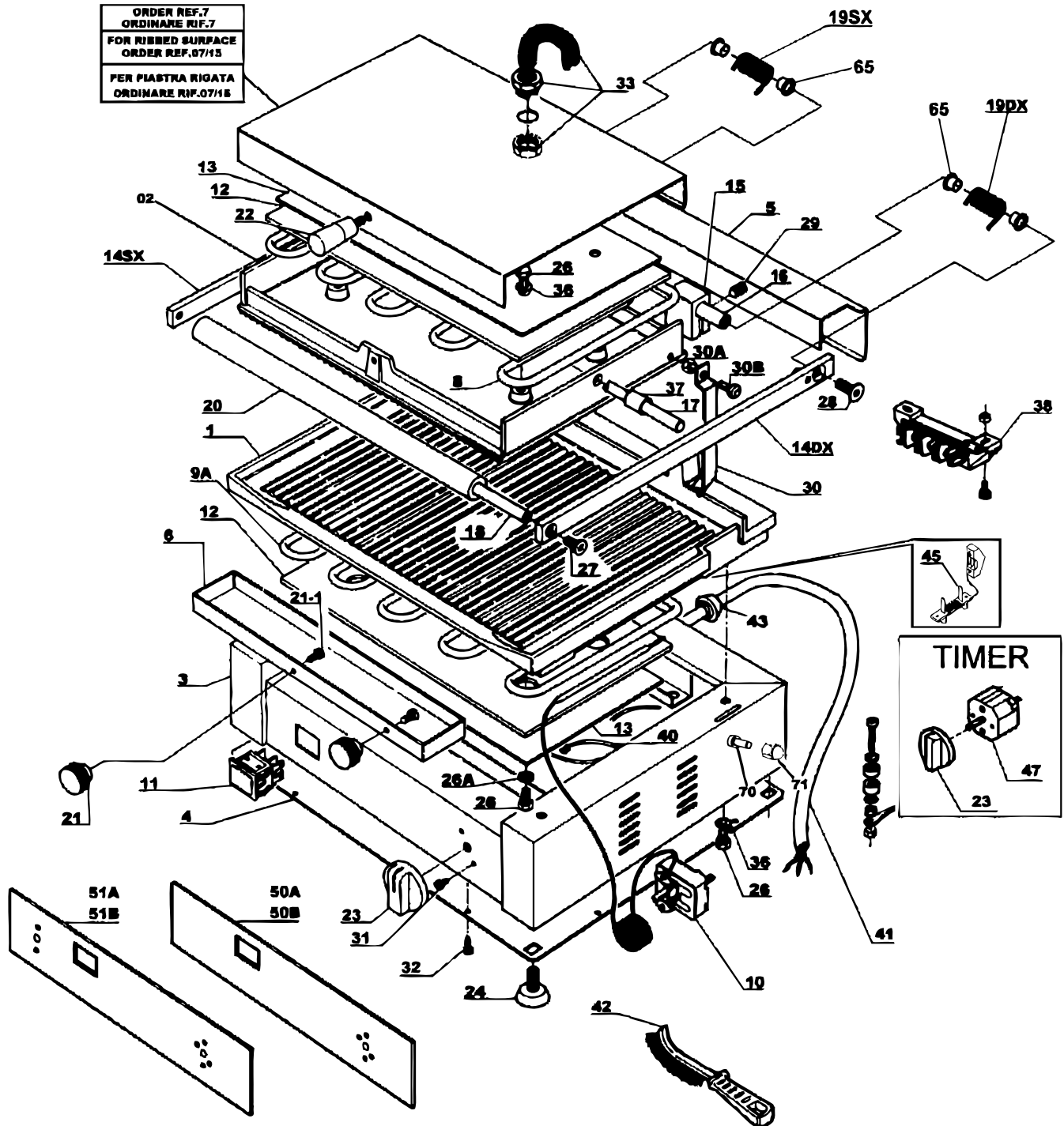


# Parts Breakdown

Model PG-IT-0483 11376



# Parts Breakdown

## Model PG-IT-0483 11376

Item No.	Description	Position	Item No.	Description	Position	Item No.	Description	Position
AM979	Bottom Plate Flat for 11376	1	AM993	Brass Brake for 11376	15	AN004	Wire Protecting Spring D.14 for 11376	33
AM981	Upper Plate Smooth for 11376	2	AM994	Lifting Pin 12x243 for 11376	16	AN005	Distance Ring Int.14x4 F.10,5 for 11376	37
AM983	Base for 11376	3	AM995	Pin PD D10x247 for 11376	17	AN006	Distance Ring.Est.14x12,3 F.10,5 for 11376	37
AM984	Bottom for 11376	4	AM996	Handle Pin 10x236 for 11376	18	19372	Terminal Block for 11376	38
AM985	Spring Cover for 11376	5	63480	Right Spring for 11376	19DX	AN007	ETL Cable with Light Complete for 11376	40
AM986	Stainless Steel Tub for 11376	6	63481	Left Spring for 11376	19SX	AN008	USA Cord 125 V 20A for 11376	41
AM988	Stainless Steel Cover DX 45° for 11376	7	AM997	Black Handle L.235,5 for 11376	20	16469	Wire Panini Brush Red Handle for 11376	42
AM989	Stainless Steel Cover DX 90° for 11376	7/15	AM998	Black Drawer Knob for 11376	21	AN009	Gland for 11376	43
16470	Top Heating Element 700W 115 V for 11376	8	37282	Upper Knob Black for 11376	22	AN010	Clamp PA 268 RO CETL Plates with Screw for 11376	45
18828	Bottom Heating Element 110V for 11376	9	18001	Knob for 11376	23	AN011	Timer Grill for 11376	47
16474	Thermostat 110/220-50/60 for 11376	10	AM999	Foot for 11376	24	AN012	Monster for 11376	50
23747	Pilot Light 110V for 11376	11	AN000	Flange Screw Zigr. M06x12 for 11376	26	78769	Mostr.Graduata Dim.8x7cm for 11376	50A
21103	Insulating Panel 110 ZK for 11376	12	37273	Washer Dia.6 for 11376	26A, 36	AN013	Monster Tim for 11376	51
AM990	Panel Protection for 11376	13	AN001	Antirib for 11376	30	78810	Boccola Flangiata D. 12 per Molle for 11376	65
AM991	Right Lifting Rod 25x8x363 W/Peg for 11376	14DX	AN002	Low Hex.Nut DIN 439 M6 for 11376	30A	AN014	Screw TC+ 4.8 04x010 Zinc. for 11376	70
AM992	Left Lifting Rod 25x8x363 W/Peg for 11376	14SX	AN003	Screw TE DIN 933 M6x14 T.F. for 11376	30B	AN015	Hex Spacer Pin ETL for 11376	71